

使 用 前 請 詳 細 閱 讀

**PLEASE READ CAREFULLY
BEFORE USING**

操 作 手 冊

OPERATING MANUAL

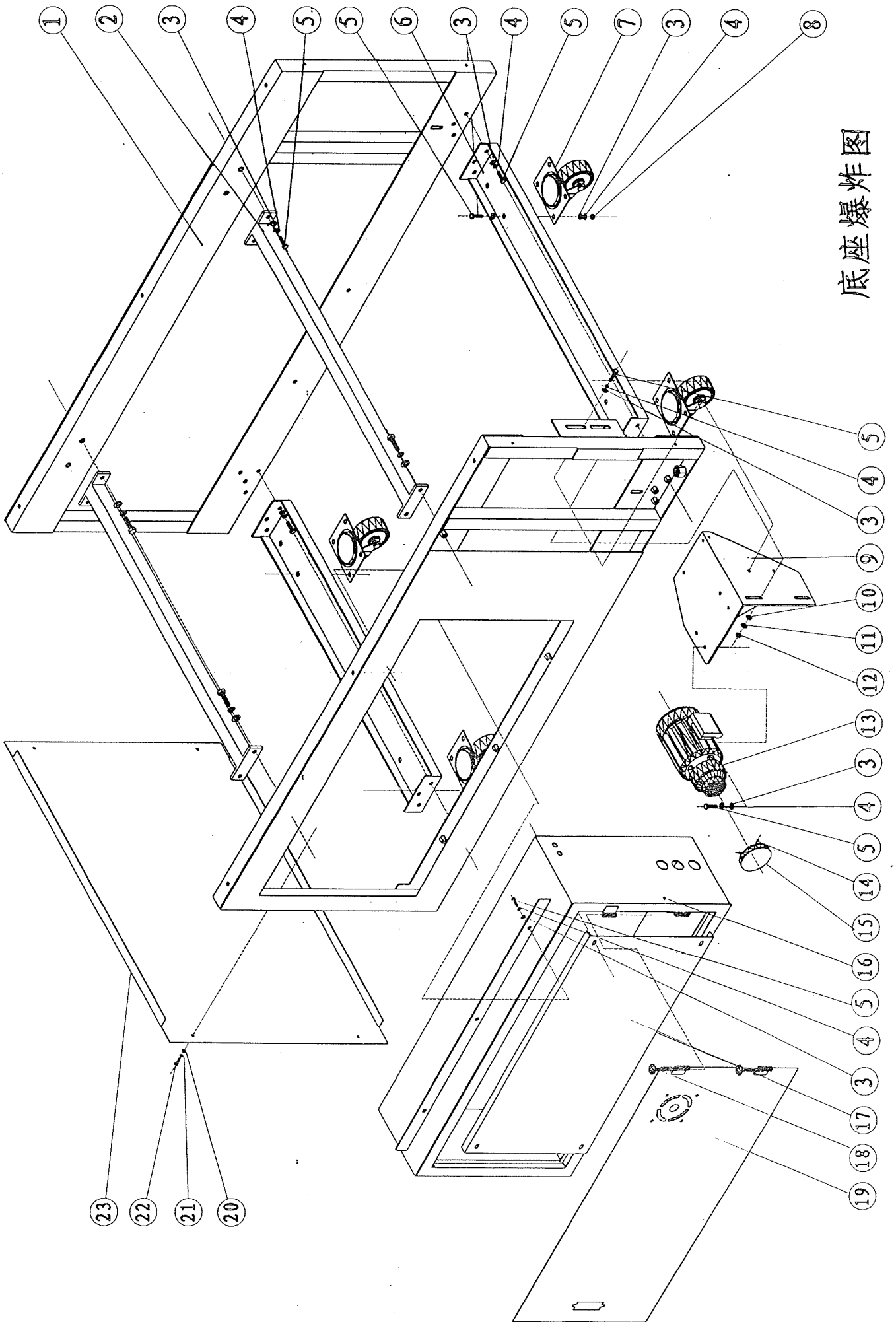
OP-60LN

OP-60LN II

連 續 式 粘 合 機

CONTINUOUS FIUSING PRESS MACHINE

請
認
準
手
冊



底座爆炸图

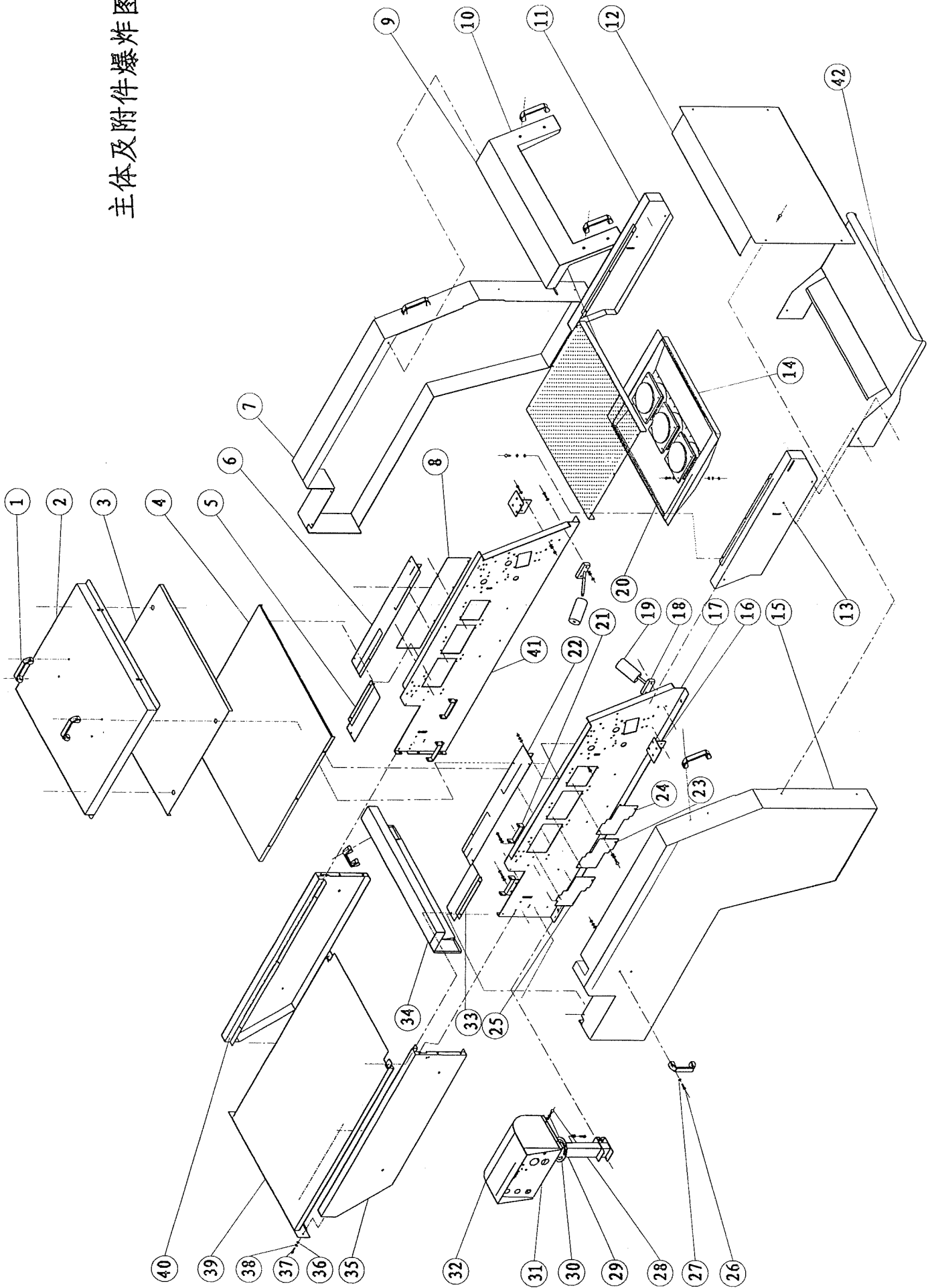
Part's Diagram

NO. 1

No.	Part no.	Part description	Q'ty	Remark
1	60LNA003	Right Fram of Base	1	
2	60LNA005	Supporting Rod	1	
3	JF1013	Flat Pad 8	22	
4	JF2007	Elastic Pad 8	22	
5	JD1039	Nickel-Plate Screw Plug M8*30	22	
6	60LNA004	Base	2	
7	ZW0132	Archaistic Wheel3 “	4	
8	JM1005	Screw Nut 8	16	
9	60LNA042	Motor base	1	
10	JF1017	Flat Pad 12	2	
11	JF5009	Elastic Pad 12	2	
12	JM1007	Screw Nut 12	2	
13	DM0.112-1	Motor	1	
14	JD7116	Tighten ScrewM6	2	
15	90LDB121	Wheel for Motor's belt	1	
16	60LNA037	Control Box	1	
17	60LNA041	Switch Board	1	
18	JX0003	Toggle	2	
19	60LNA038	Control Box's Cover	1	
20	JF1010	Flat Pad 6	4	
21	JF2006	Elastic Pad 6	4	
22	JD3084	Half round head Screw M6*10	4	
23	60LNA006	Front Lateral Board of Base	1	

#13 DM0112-1

主体及附件爆炸图



Part's Diagram

NO. 2

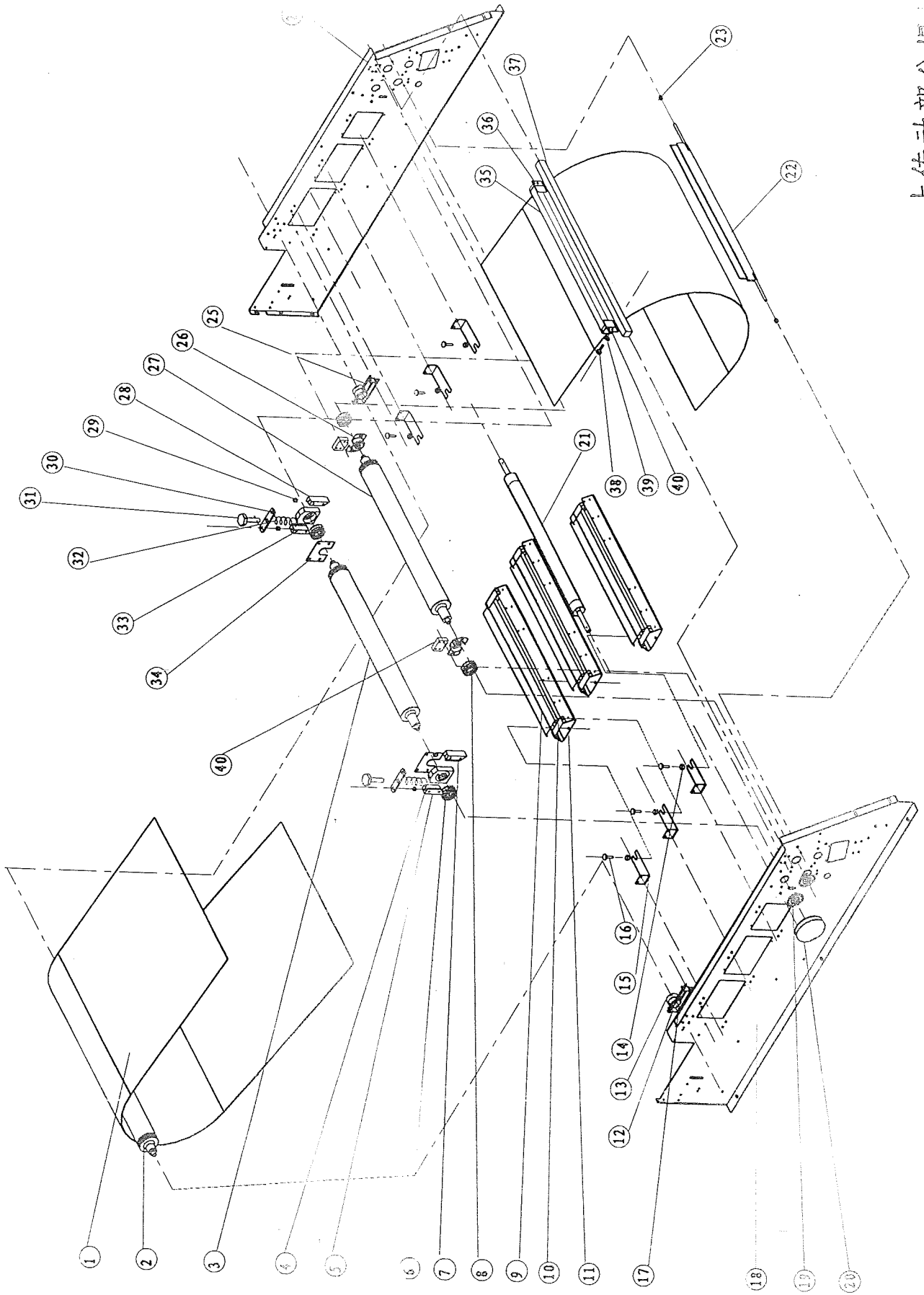
No.	Part no.	Part description	Q'ty	Remark
1	ZW0061	Plastic Handle	10	
2	60LNA021	Upper Protecting-Cover of Main Body	1	
3	60LNA020	Protecting Cover	1	
4	60LNA035	Clap Board	1	
5	60LNA018	Upper Dash Board of Main Bodyl	1	
6	60LNA017	Upper Right Fixed board of Main Body	1	
7		Right Protecting Board of Main Boay	1	
8	60LNA053	Cover of Main Body	1	
9	60LNA028	Rear Protecting Cover of Main Body	1	
10	60LNA032	Net Board	1	
11	60LNA030	Right Lateral Board of Rear Table	1	
12	60LNA007	Rear Lateral Board of Base	1	
13	60LNA029	Left Lateral Board of Rear Table	1	
14	60LNA031	Cooling Room	1	
15	60LNA023	Left Protecting Board of Main Body	1	
16	60LNA048	Cylinder Base	2	
17	60LNA008	Upper Left Lateral Wall of Main Body	1	
18	60LNB003	Roller Base	2	
19	60LNB004	Roller	2	
20	DM0206	Fan 75*75*25	3	
21	60LNA029	Supporting Base of Roller	4	
22	60LNA017	Upper Left Fixed Board of Main Body	1	
23	60LNA010	No. 3 Cover of Main body	1	
24	60LNA012	No. 1 Cover of Main Body	1	
25	60LNA024	Right Protecting Board of Main Body	1	

Part's Diagram

NO. 2-1

No.	Part no.	Part description	Q'ty	Remark
26	JD2021	External Hex Screw Plug M8*20	20	
27	JF2007	Elastic Pad 8	20	
28	JD6012	Half Round Head Screw M4*10	4	
29	JF1005	Flat Pad 4	4	
30	60LNA033	Frame Work of Control Table	1	
31	60LNA044	Cover of Controx Box	1	
32	60LNA043	Control Box	1	
33	60LNA019	Upper Dash Board II of Main Body	1	
34	60LNA027	Front Protecting Cover of Main Body	1	
35	60LNA013	Left Laternal Board of Entrance	1	
36	JF1010	Flat Pad 6	8	
37	JF2006	Elastic Pad 6	8	
38	JD3084	Half Round Head Screw M6*10	8	
39	60LNA015	Front Board of Entrance	1	
40	60LNA014	Right Laternal Board of Entrance	1	
41	60LNA016	Upper Right Laternal Wall of Main Body	1	
42	60LNA073	Receipt Table	1	

上传动部分爆炸图



Part's Diagram

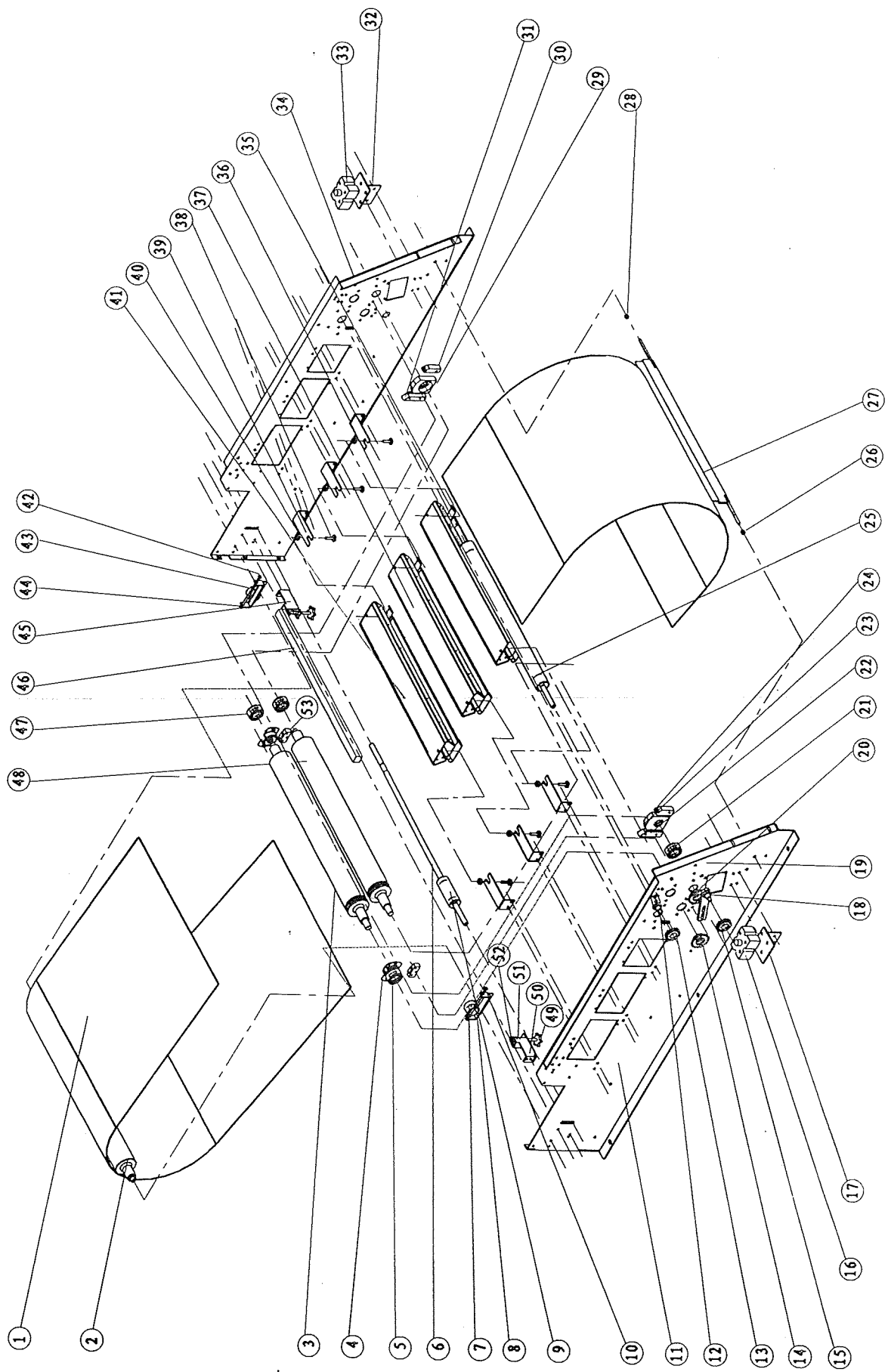
NO. 3

No.	Part no.	Part description	Q'ty	Remark
1	JP2047	Upper Belt 625*1800	1	
2	60LNB001	Roller	1	
3	60LNB028	Upper Silicone Roller 2 (Front)	1	
4	DS301B016	Right Fixed Base of Pressure adjusting Bearing Sleeve	2	
5	60LNB020	Adjusting Pressure Bearing Sleeve	2	
6	JB2071	Bearing 6204ZC4	2	
7	DS301B017	Left Fixed Base 1Adjusting Pressure Bearing Sleeve	2	
8	JB2071	Bearing 6204ZC4	2	
9	60LNB015	Protecting Cover of Heater Base	3	
10	60LNB016	Fixed Piece of Heater	6	
11	60LNB009	Heater	3	
12	JD1304	Hex Screw Plug M8*110	2	
13	60LNB013	Fixed Bearing Sleeve	2	
14	60LNB010	Pad Wreath	6	
15	60LNA047	Frame Work of Heater	6	
16	JD2211	External Hex Screw Plug M6*20	6	
17	60LNA049	Frame Work of Roller	2	
18	60LNA017	Upper Left Fixed Board of Main Body	1	
19	90LDB124	Idler of Converyor Belt	2	
20	90LDB120	Wheel of Belt	1	
21	60LNB006	Roller	1	
22	60LNA034	Plunk Rod	1	
23	60LNB019	Lock Wreath	2	
24	60LNA016	Upper Right Fixed Board of Main Body	1	
25	JH1031	Pressing Spring	2	

Part's Diagram

NO. 3-1

No.	Part no.	Part description	Q'ty	Remark
26	90LDB134	Bearing Base	2	
27	60LNB011	Upper Silicone Roller 1 (Rear)	1	
28	DS301B016	Right Fixed Base of Pressure adjusting Bearing Sleeve	2	
29	60LNB010	Pad Wreath	6	
30	60LNA052	Fixed Piece of Pressure Adjusting Hand	2	
31	JD1154	Screw Rod M14	2	
32	JH1031	Pressing Spring	2	
33	DS301B016	Right Fixed Base of Pressure adjusting Bearing Sleeve	2	
34	60LNA056	Fixed Board 2 of Slip Rail	2	
35	60LNA061	Upper Cleaning Rod 1	1	
36	60LNA063	The base of Left Cleaning Rod 2	1	
37	60LNA060	The Base of Upper Cleaning Rod 2	1	
38	JD2211	External Hex Screw Plug M6*20	4	
39	JF2006	Elastic Pad 6	2	
40	60LNA059	The Base of Cleaning Rod 2	1	
41	90LDB132	Pressure Shelter1	2	



下传动部分爆炸图

Part's Diagram

NO. 4

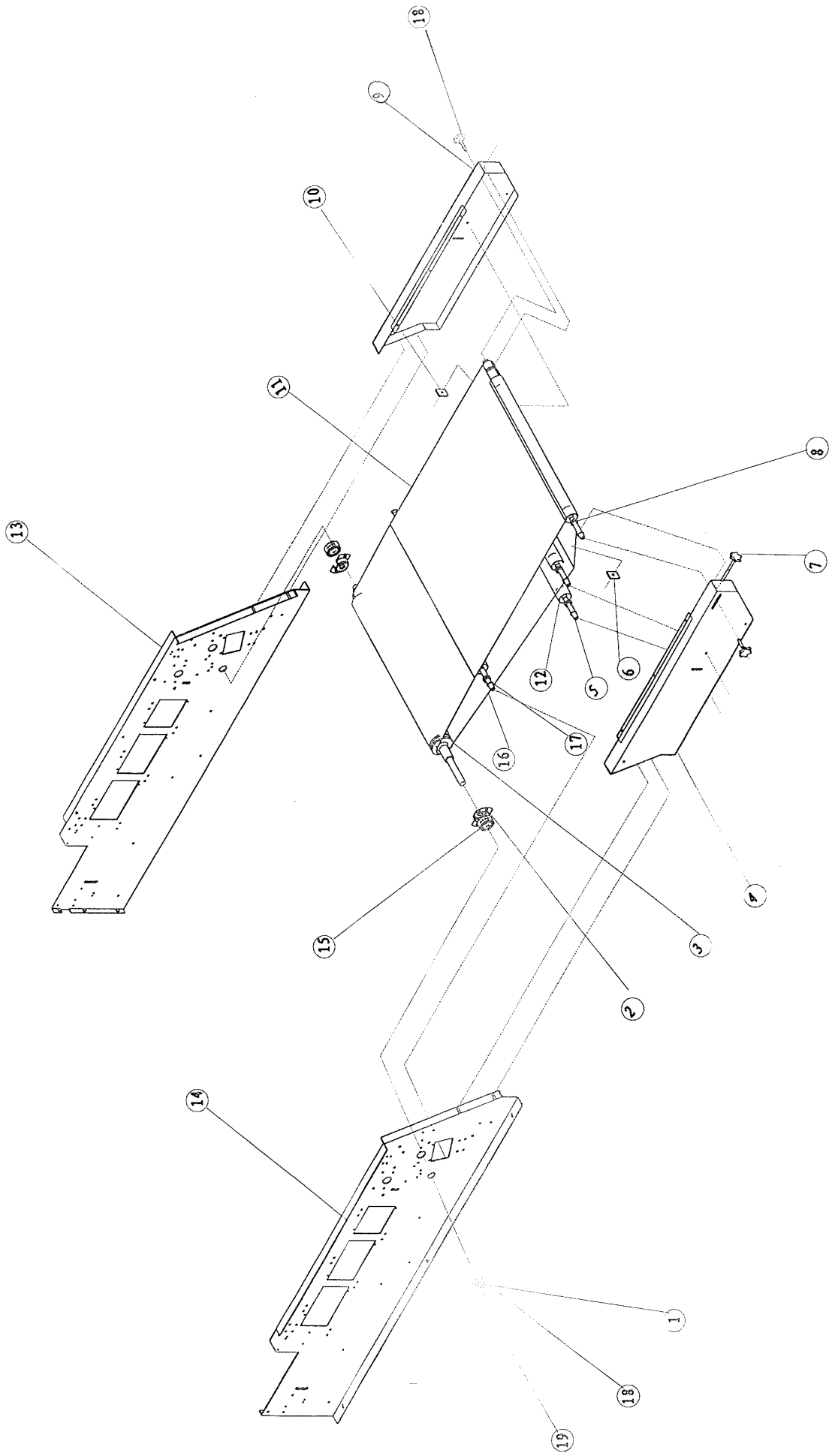
No.	Part no.	Part description	Q'ty	Remark
1	JP2048	Lower Belt 625*2400	1	
2	60LNB001	Roller	1	
3	60LNB012	Lower Silicone Roller 1 (Front)	1	
4	90LDB134	Bearing Base	2	
5	JB2071	Bearing 6204ZC4	2	
6	60LNB008	Roller of Belt	1	
7	JD1304	Hex Screw PlugM8*110	2	
8	60LNB013	Fixed Bearing Sleeve	2	
9	60LNA049	Sub-base of Roller	2	
10	60LNB007	Supporting Rod of Belt	1	
11	60LNA017	Upper Left Fixed Board of Main Body	1	
12	60LNB024	Idler Base 1	1	
13	90LDB124	Idler of Converyor Belt	1	
14	90LDB123	Silicone Idler	1	
15	90LDB124	Idler of Converyor Belt	1	
16	QG0026	Cylinder SDA50*20	1	
17	60LNA048	Cylinder Base	1	
18	90LNB007	Idler Base 2	1	
19	60LNA055	Fixed Board of Slip Rail 1	1	
20	90LDB123	Silicone Idler	1	
21	JB2071	Bearing 6204ZC4	2	
22	60LNB031	Right Fixed Base 3 of Pressure Adjusting Bearing Sleeve	1	
23	60LNB020	Pressure Adjusting Bearing Sleeve	1	
24	60LNB022	Right Fixed Base 1 of Pressure Adjusting Bearing Sleeve	1	
25	60LNB006	Roller	1	
26	60LNB019	Lock Wreath	1	
27	60LNA034	Plunk Rod	1	
28	60LNB019	Lock Wreath	1	
29	60LNA055	Fixed Board of Slip Rail 1	1	
30	60LNB023	Left Fixed Base 1 of Pressure Adjusting Bearing Sleeve	1	

Part's Diagram

NO. 4-1

No.	Part no.	Part description	Q'ty	Remark
31	60LNB032	Left Fixed Base 3 of Pressure Adjusting Bearing Sleeve	1	
32	QG0026	Cylinder SDA50*20	1	
33	60LNA048	Cylinder Base	1	
34	60LNA016	Upper Right Fixed Board of Main Body	1	
35	60LNB015	Protecting Cover of Heater Base	3	
36	60LNB016	Fixer of Heater	6	
37	60LNB009	Heater Base	3	
38	JD2211	External Hex Screw M6*20	6	
39	60LNA047	Sub-Base of Heater	6	
40	60LNB010	Pad Wreath	6	
41	60LNA047	Sub-Base of Heater	6	
42	JD1304	Hex Screw M8*110	2	
43	60LNB013	Fixed Bearing Sleeve	2	
44	60LNA049	Sub-Base of Heater	2	
45	60LNA057	The base of Left Cleaning Rod 1	1	
46	60LNA062	Upper Clearning Rod 2	1	
47	JB2071	Bearing 6204ZC4	6	
48	60LNB029	Lower Silicone Roller 2 (Rear)	1	
49	ZW0054	Black five-leafs Handle M8	2	
50	60LNA058	The base of Right Clearning Rod 1	1	
51	JM1005	Screw Nut M8	4	
52	JH1019	Pressing Spring	2	
53	60LNB021	Pressure Shelter 2	2	

输送带部分爆炸图



Part's Diagram

NO. 5

No.	Part no.	Part description	Q'ty	Remark
1	90LDB123	Silicone Idler	1	
2	90LDB134	Bearing Base	2	
3	60LNB014	Roller of Conveyor Belt	1	
4	60LNA030	Right Laternal Board of Rear Table	1	
5	60LNB035	Roller Axis 2	3	
6	60LNA064	Slip Board 2	1	
7	ZW0048	Five-Leafs Handle M6	2	
8	60LNB036	Roller Axis 3	1	
9	60LNA029	Left Laternal Board of Rear Tabel	1	
10	60LNA064	Slip Board 2	1	
11	JP2210	Conveyor Belt 580*2160	1	
12	60LNB006	Roller	4	
13	60LNA017	Upper Left Fixed Board of Main Body	1	
14	60LNA016	Right Fixed Board of Main Body	1	
15	JB2071	Bearing 6204ZC4	2	
16	JB2073	Bearing 6202ZC4	8	
17	JF2010	Axial Erastic Shelter Wreath 15	8	
18	JD7116	Tighten Screw M6	1	
19	JD7116	Tighten Screw M6	1	